

Addendum to 001-15698, 001.08075 & 001.16000.33

Using the Maxi Sky 2/Maxi Sky 440/Voyager Portable on Track System other than KWIKtrak™



Design Policy and Copyright

® and ™ are trademarks belonging to the Arjo group of companies.

© Arjo 2024.

As our policy is one of continuous improvement, we reserve the right to modify designs without prior notice.

The content of this publication may not be copied either whole or in part without the consent of Arjo.

General Informations

**THIS DOCUMENT IS AN ADDENDUM TO:
MAXI SKY 2 INSTRUCTION FOR USE (001-15698-**),
MAXI SKY 440 INSTRUCTION FOR USE (001.16000.33.***) AND VOYAGER INSTRUCTION
FOR USE (001.08075.***)
IT ADDRESSES FEATURES THAT CAN MODIFY SOME TECHNICAL SPECIFICATIONS
OF THE MAXI SKY 2 / MAXI SKY 440 / VOYAGER
KEEP THIS DOCUMENT AND THE *INSTRUCTION FOR USE* WITH THE LIFT.**

*. Last two characters varies according to the document language

Safe Working Load (SWL)

Maxi Sky 2

The Maxi Sky 2 for track systems other than KWIKtrak have been designed with a maximum lifting capacity of 272 kg (600 lb). A kit is available for the Maxi Sky 2 to permit its SWL to be downgraded if initial load test does not pass for 272kg (600lb) SWL.

WARNING
A Weight Load Test (WLT) must be performed on the Track System initially and annually. It is very important to make sure that the track system, on which the Maxi Sky 2 is installed, has a capacity equal or greater to the SWL set on the Maxi Sky 2 (120 kg (264 lb), 200 kg (440 lb) or 272 kg (600 lb)).

Maxi Sky 440 or Voyager

The portable ceiling lifts for track systems other than KWIKtrak have been designed with a maximum lifting capacity of 200 kg (440 lb).

WARNING
A Weight Load Test (WLT) must be performed on the Track System initially and annually. It is very important to make sure that the track system, on which the Voyager or Maxi Sky 440 is installed, has a capacity equal or greater to 100 kg (220 lb) or 200 kg (440 lb).

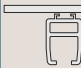
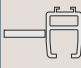
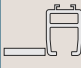



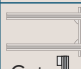

Track System Limitation

WARNING
No tracking accessories, such as an Exchanger, a Turntable or a Gate System, are permitted in the track path except those specified. Refer to "Track System Limitation" in each specific track system section for more information.

Compatibility Chart

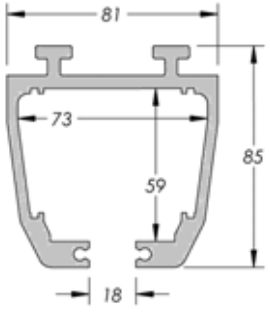
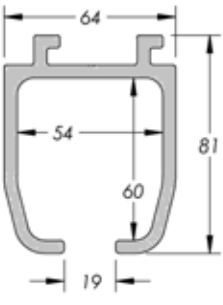
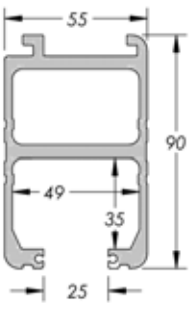
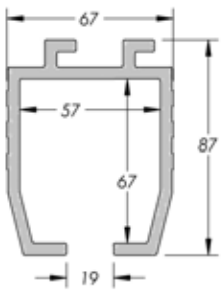
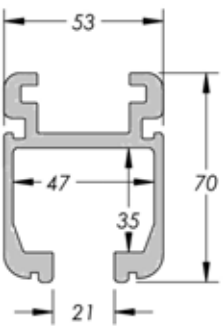
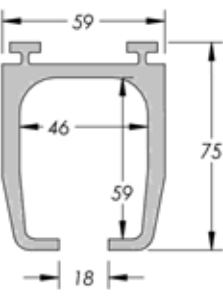
Competitor and Legacy Tracks

Cross reference the Track Profile (top row) with the Track Solutions (left column).
A green check mark ✓ means it is compatible with an Arjo ceiling lift. The ✗ symbol means it's incompatible.

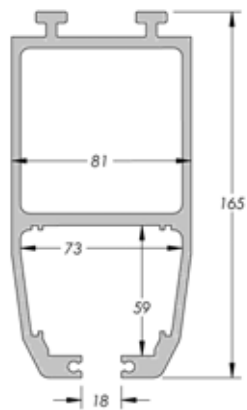
TRACK PROFILES		TRACK SOLUTIONS														
		A	B	D	E	G	L	M	N	P	Q	R	S	T	W	V
 Standard	MS440/Voyager	✓	✓	✓	✓*	✓	✓	✓	✓	✓	✓	✓	✓	✓	✓	✓
	MS2	✓	✓	✓	✓	✓	✓	✓	✓	✓	✓	✓	✓	✓	✓	✓
 Recessed	MS440/Voyager	✓	✓	✓	✓*	✓	✓	✓	✓	✓	✓	✓	✓	✓	✓	
	MS2	✓	✓	✓	✓	✓	✓	✓	✓	✓	✓	✓	✓	✓	✓	
 Embedded	MS440/Voyager	✓	✓	✓	✓*	✓	✓	✓	✓	✓	✓	✓	✓	✓	✓	
	MS2	✓	✓	✓	✓	✓	✓	✓	✓	✓	✓	✓	✓	✓	✓	
 Straight layout	MS440/Voyager	✓	✓	✓	✓*	✓	✓	✓	✓	✓	✓	✓	✓	✓	✓	
	MS2	✓	✓	✓	✓	✓	✓	✓	✓	✓	✓	✓	✓	✓	✓	
 Curved layout	MS440/Voyager	✓	✓	N/A	✓*	✓	✓	✓	✓	✓	✓	N/A	✓	✓	N/A	
	MS2	✓	✓	N/A	✓	✓	✓	✓	✓	✓	✓	N/A	✓	✓	N/A	
 X-Y system	MS440/Voyager	✓	✓	✓	✓*	✓	✓	✓	✓	✓	✓	✓	✓	✓	✓	
	MS2	✓	✓	✓	✓	✓	✓	✓	✓	✓	✓	✓	✓	✓	✓	
 Gate Turntable Exchanger		✗	✗	✗	✗	✗	✗	✗	✗	✗	✗	✗	✗	✗	✗	
 Track gap		✗	✗	✗	✗	✗	✗	✗	✗	✗	✗	✗	✗	✗	✗	

* Voyager Lite only (Canada - USA - UK)

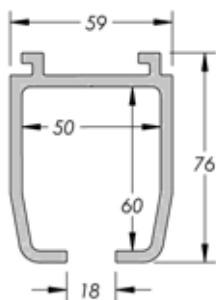
Track Profile Index

 <p>A - Profile: page 6</p>	 <p>G - Profile: page 10</p>	 <p>P - Profile: page 13</p>
 <p>B - Profile: page 7</p>	 <p>L - Profile: page 11</p>	 <p>T - Profile: page 15</p>

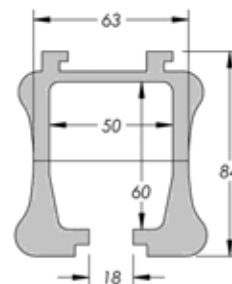
Track Profile Index



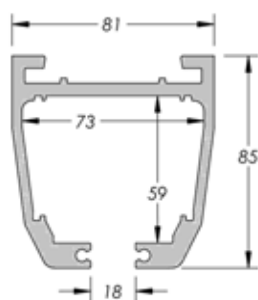
D- Profile: page 8



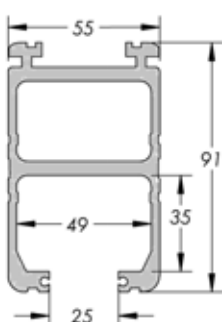
M - Profile: page 12



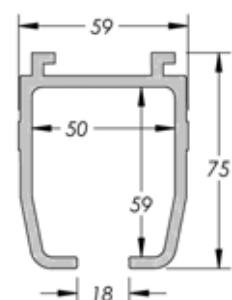
V - Profile: page 16



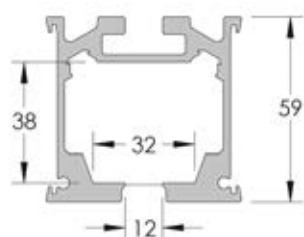
E - Profile: page 9



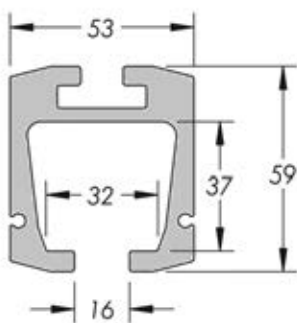
N - Profile: page 13



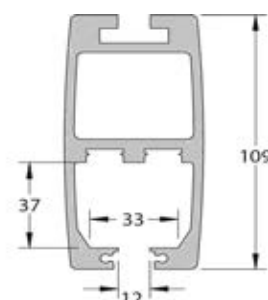
W - Profile: page 17



Q - Profile: page 14



R - Profile: page 14



S - Profile: page 14

WARNING

- The ceiling lift should not be installed in any track profile other than the specified above.
- Before installing your ceiling lift make sure it is designed to be used with the specific track profile.

A Type Track System

Parts Description

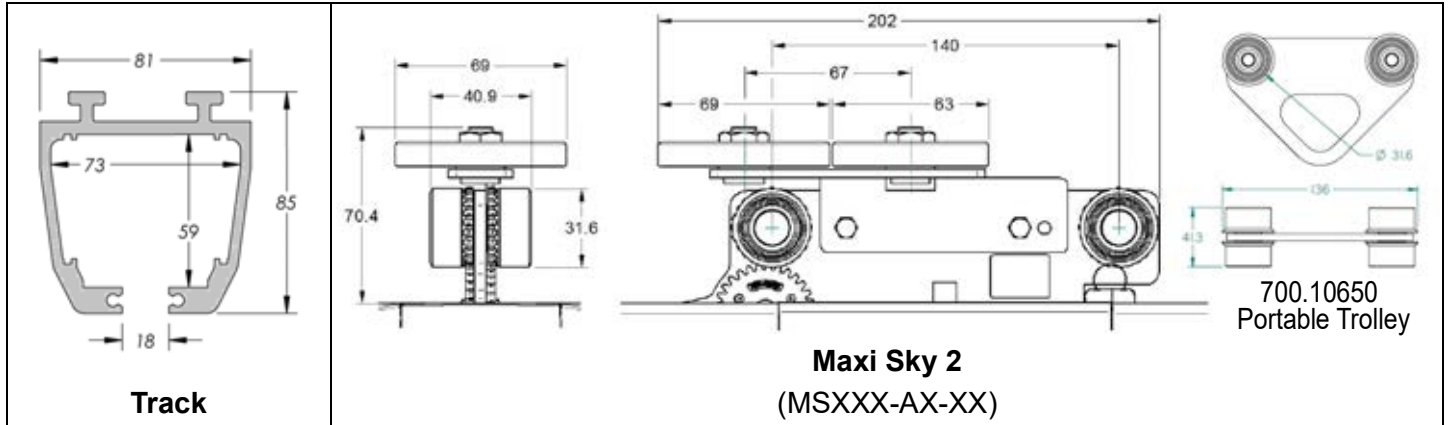


Fig. 1

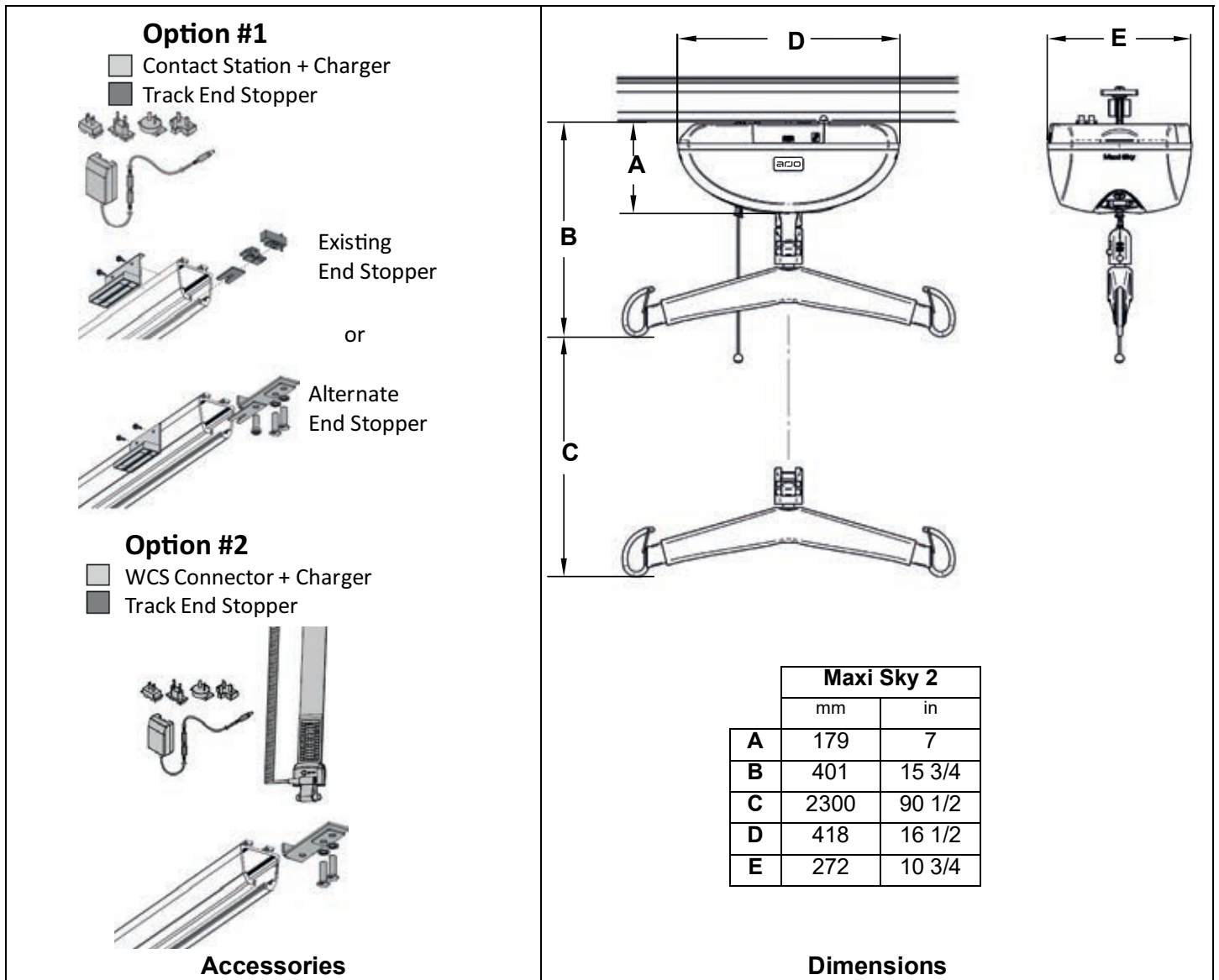


Fig. 2

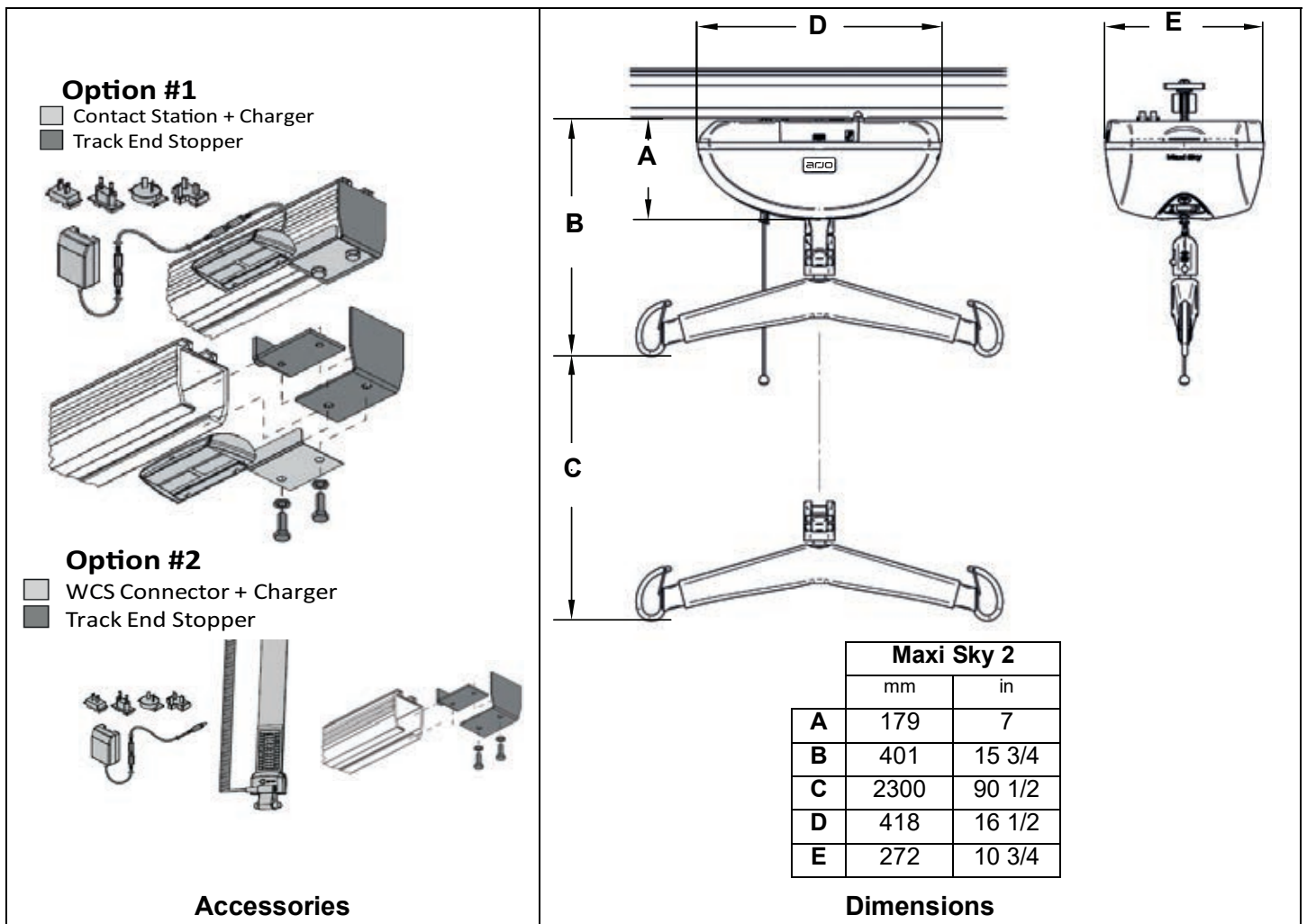
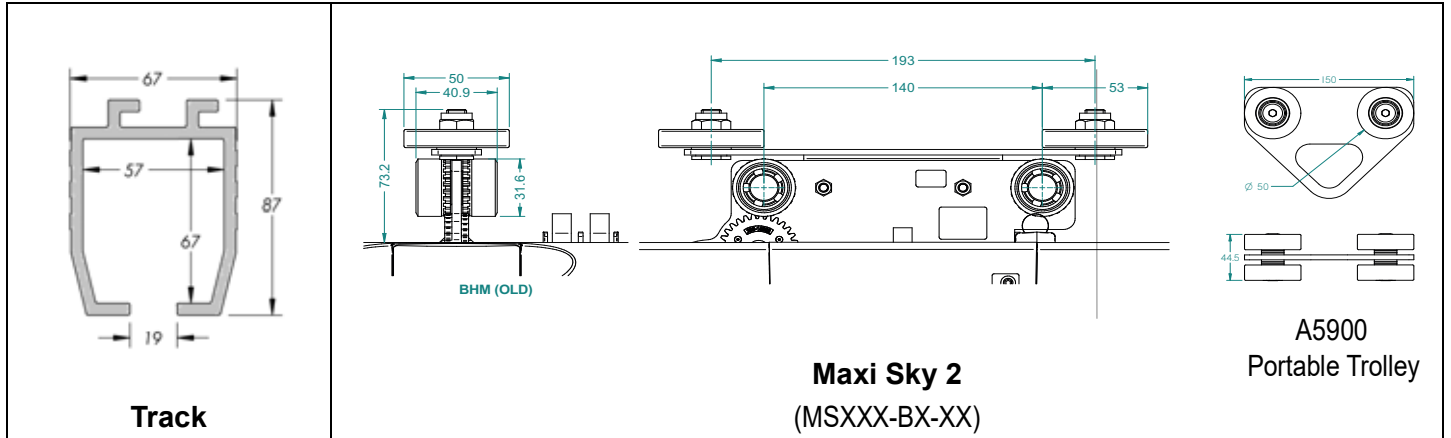
Track System Limitation

WARNING

• The "A" Track System may accept ceiling lifts with SWL rated to a maximum of 272 kg (600 lb).

B Type Track System

Parts Description



Track System Limitation

WARNING

- The "B" Track System may accept ceiling lifts with SWL rated to a maximum of 272 kg (600 lb).

D Type Track System

Parts Description

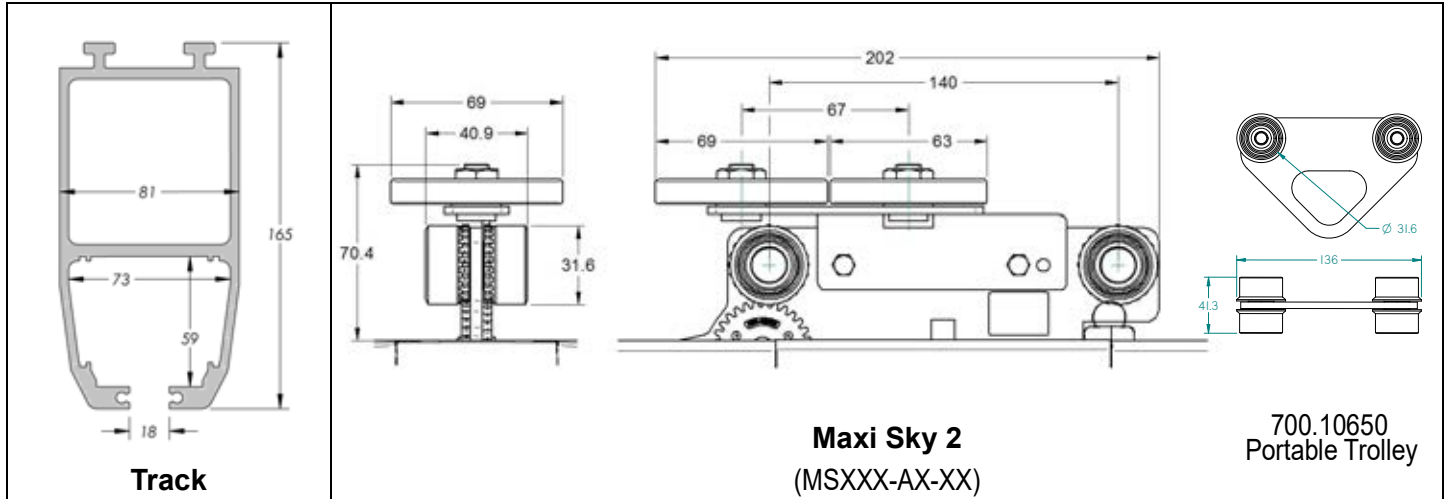


Fig. 5

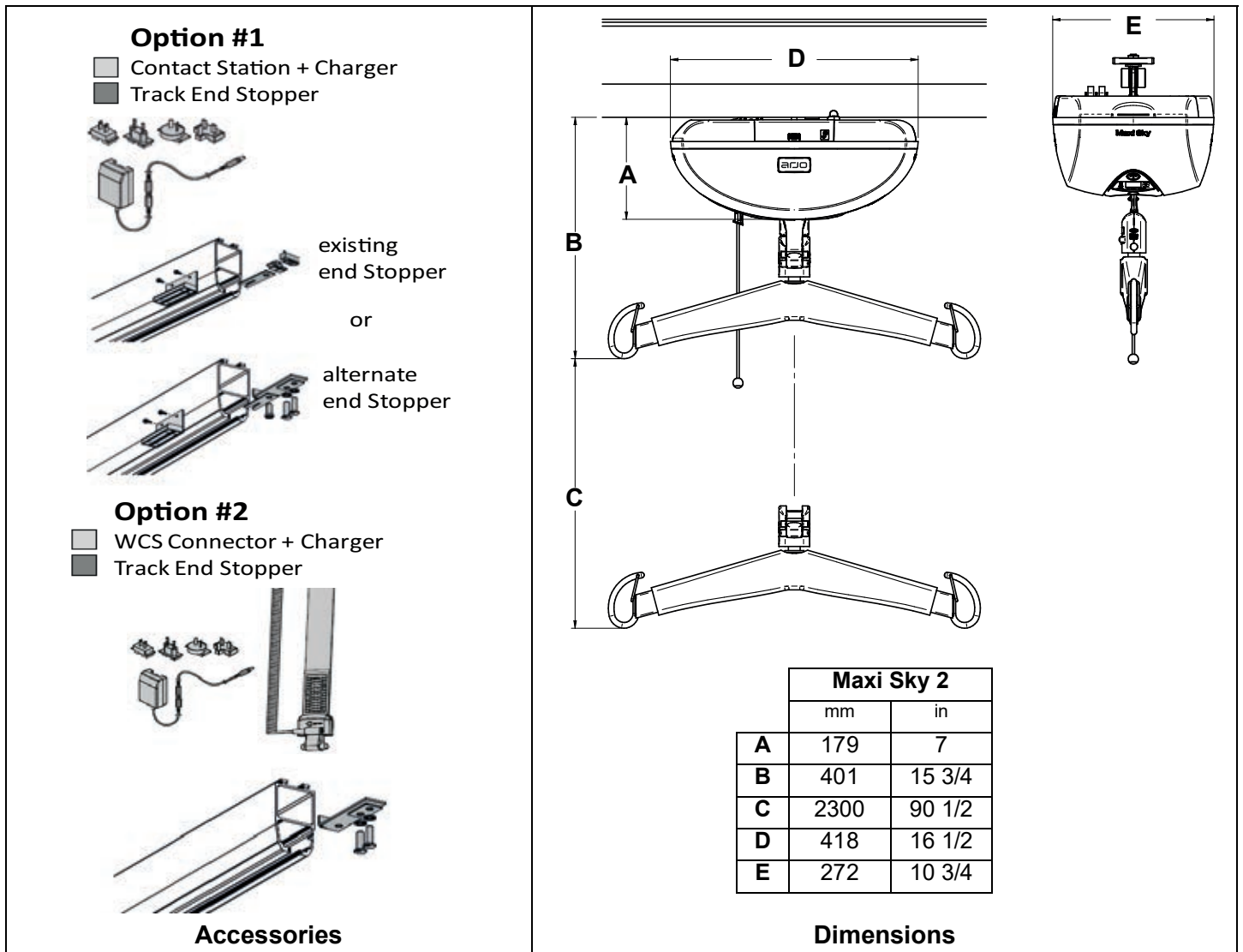


Fig. 6

Track System Limitation

WARNING

• The "D" Track System may accept ceiling lifts with SWL rated to a maximum of 272 kg (600 lb).

E Type Track System

Parts Description

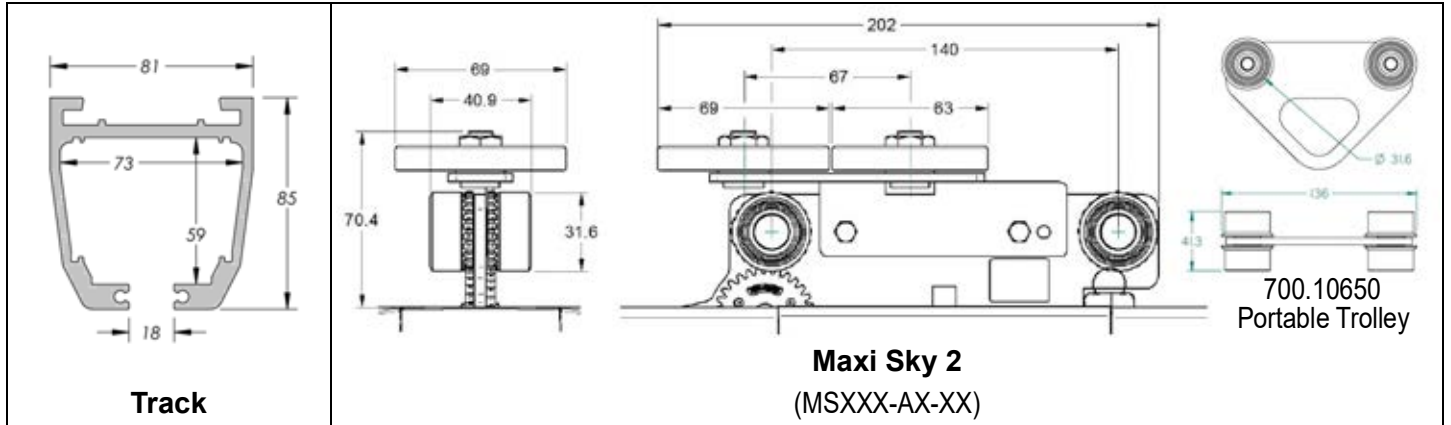


Fig. 7

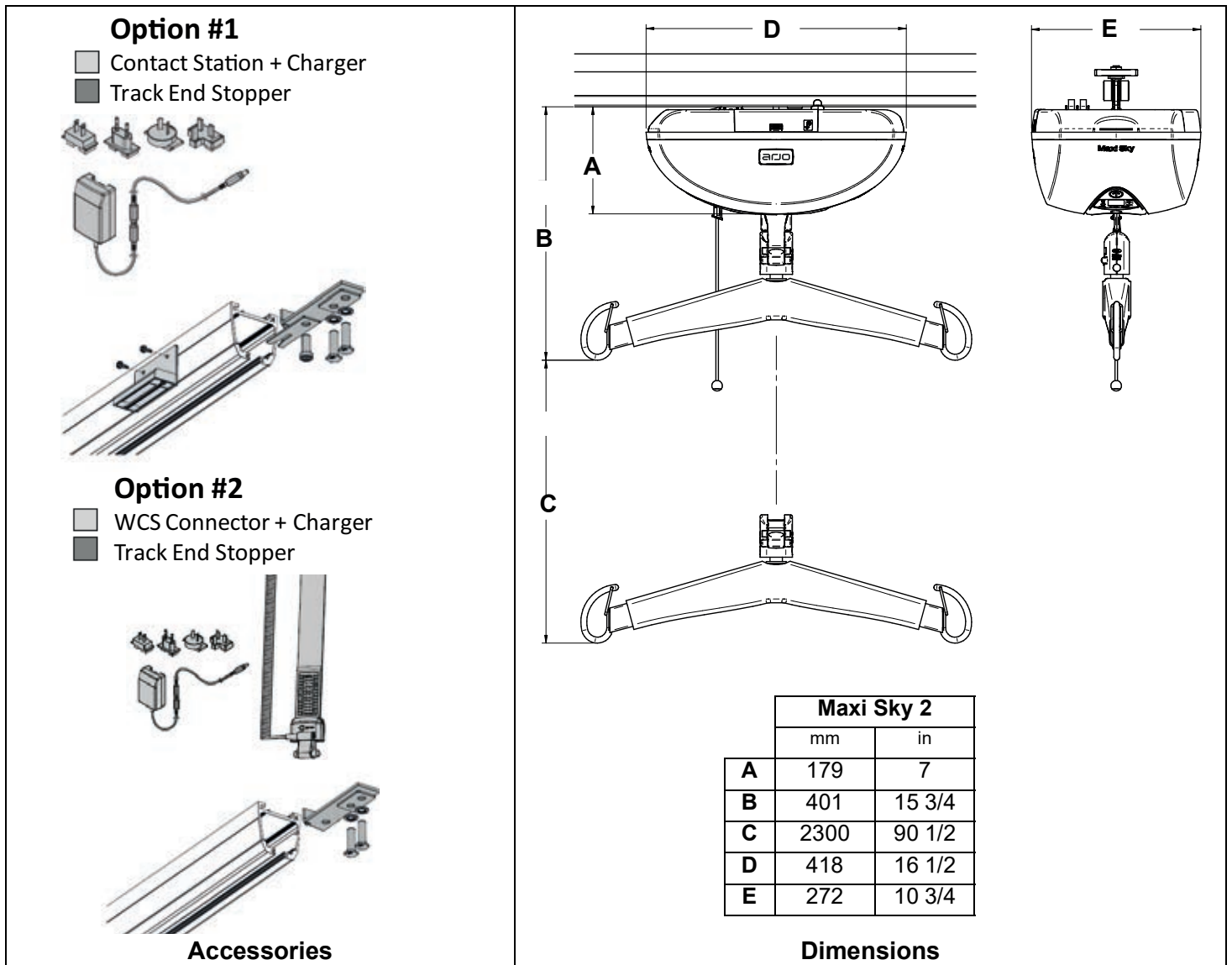


Fig. 8

Track System Limitation

WARNING

- The "E" Track System may accept ceiling lifts with SWL rated to a maximum of 120 kg (264 lb).

G Type Track System

Parts Description

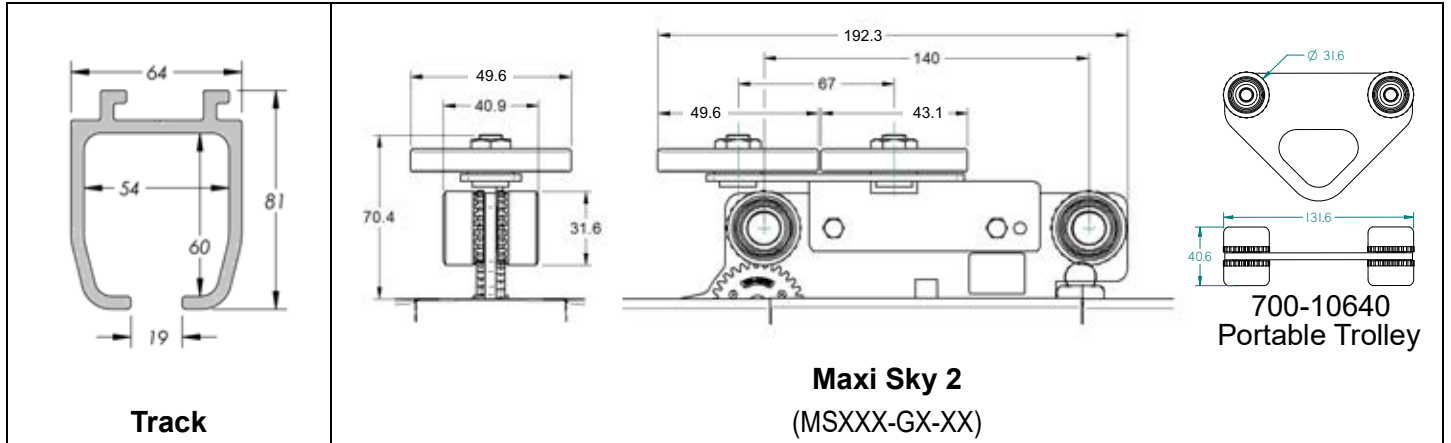


Fig. 9

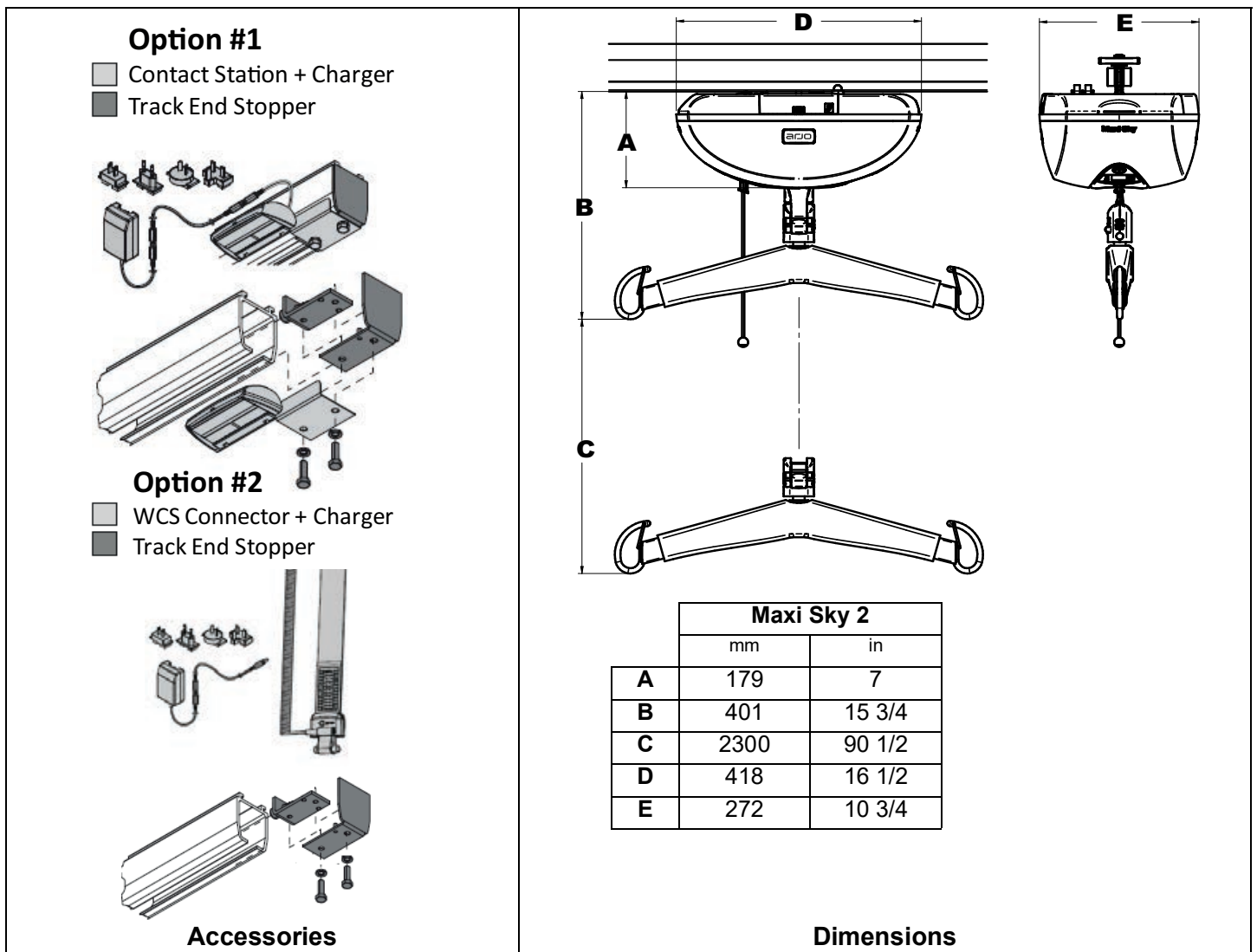


Fig. 10

Track System Limitation

WARNING

• The "G" Track System may accept ceiling lifts with SWL rated to a maximum of 272 kg (600 lb).

L Type Track System

Parts Description

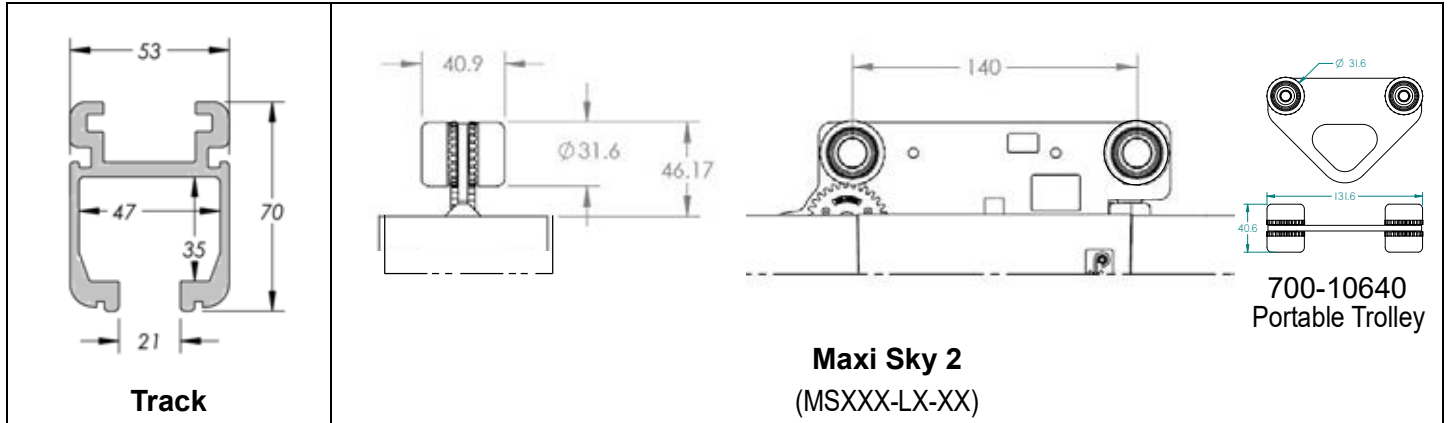


Fig. 11

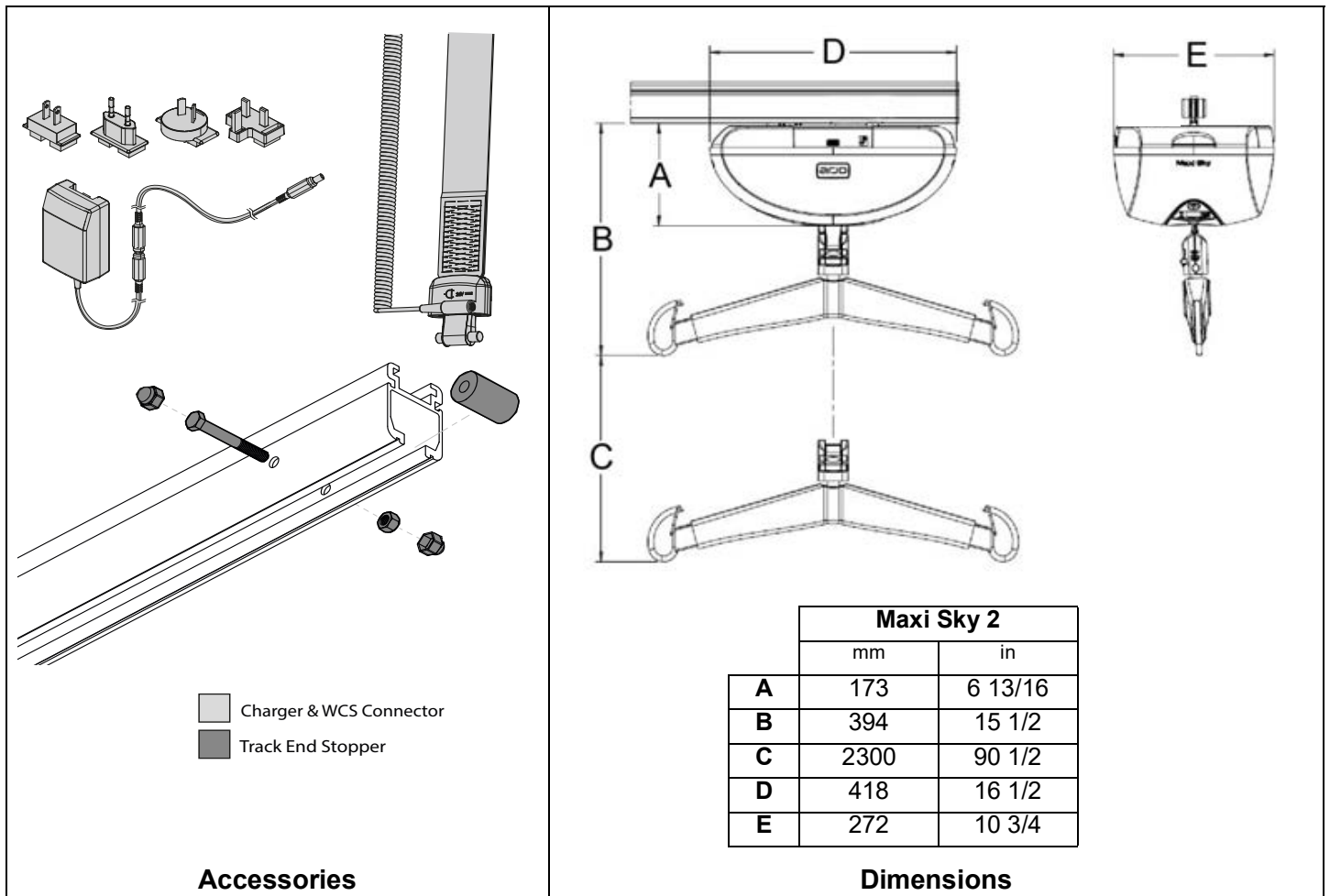


Fig. 12

Track System Limitation

WARNING

- The "L" Track System may accept ceiling lifts with SWL rated to a maximum of 272 kg (600 lb).

M Type Track System

Parts Description

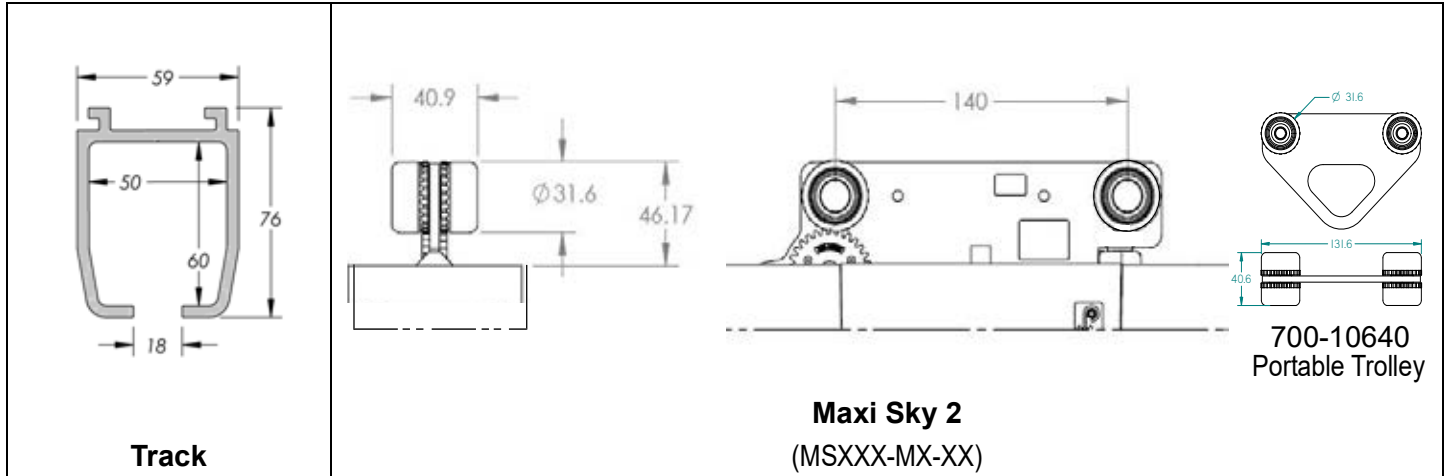


Fig. 13

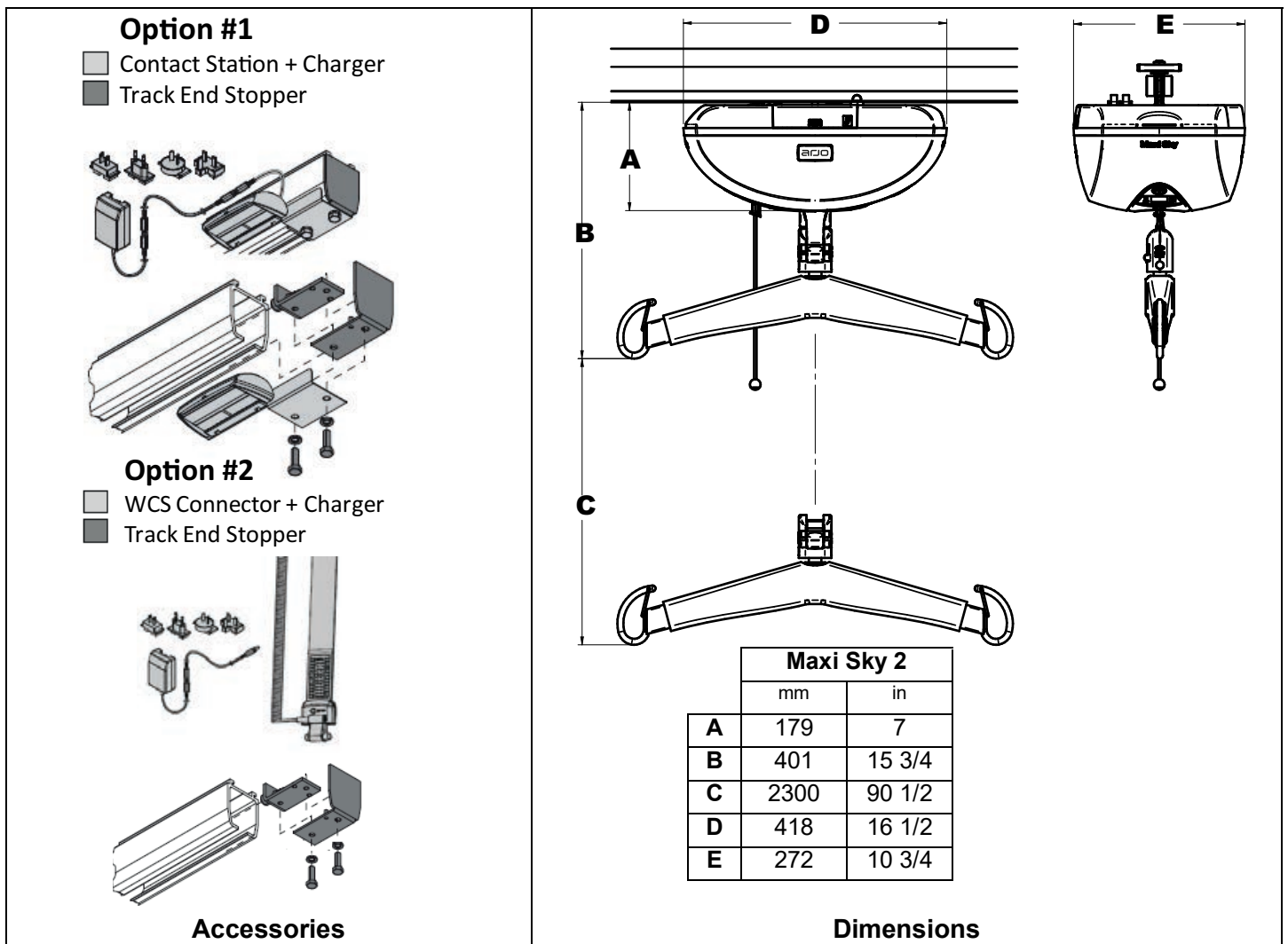


Fig. 14

Track System Limitation

WARNING

• The "M" Track System may accept ceiling lifts with SWL rated to a maximum of 272 kg (600 lb).

P & N Type Track System

Parts Description

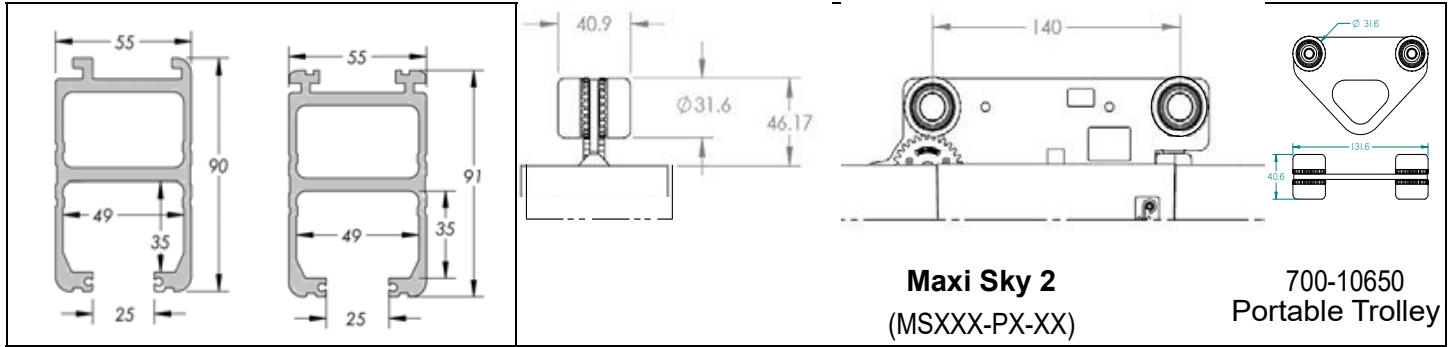


Fig. 15

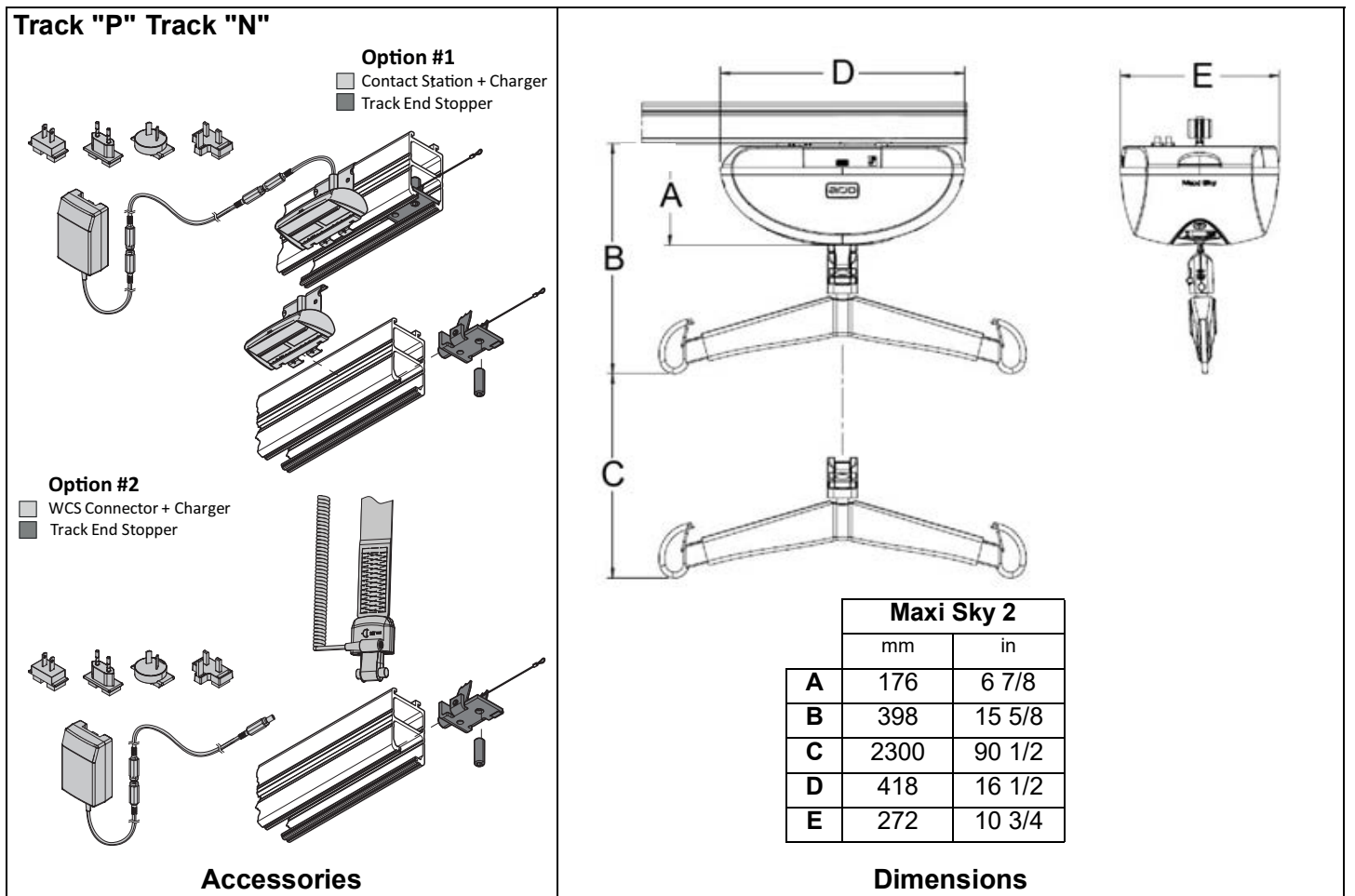


Fig. 16

Track System Limitation

WARNING

- The "P & N" Track System may accept ceiling lifts with SWL rated to a maximum of 272 kg (600 lb).

Q-R-S Type Track System

Parts Description

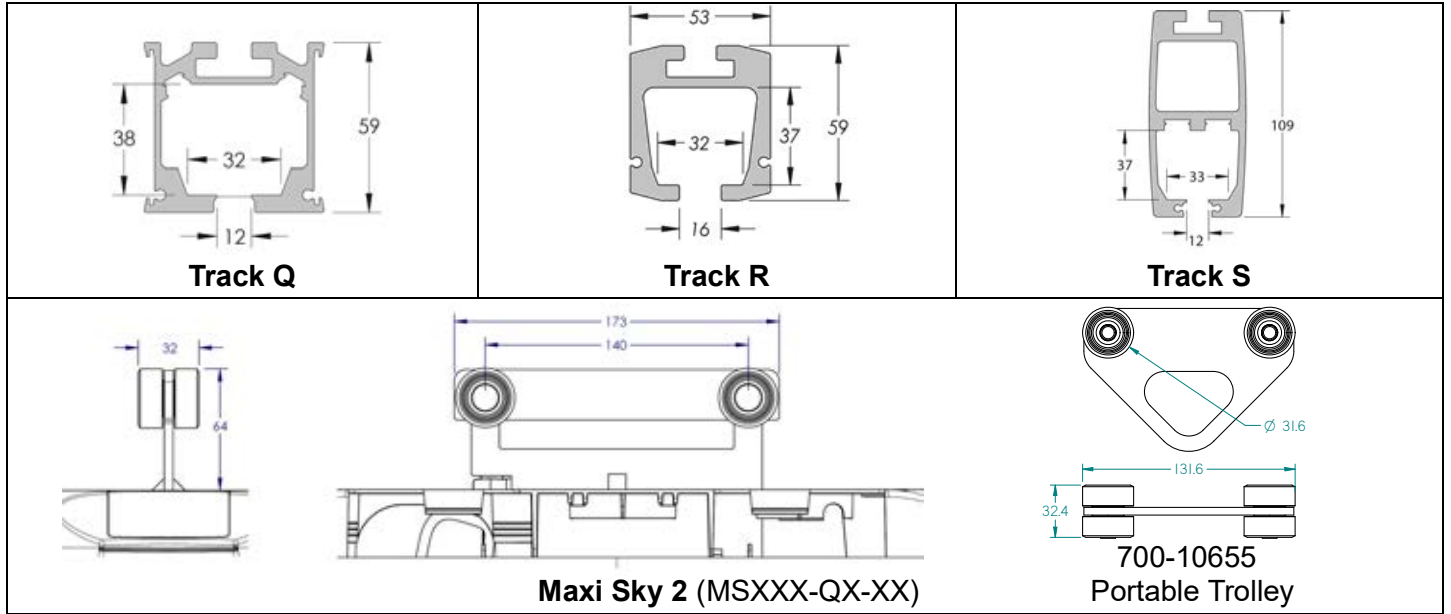


Fig. 17

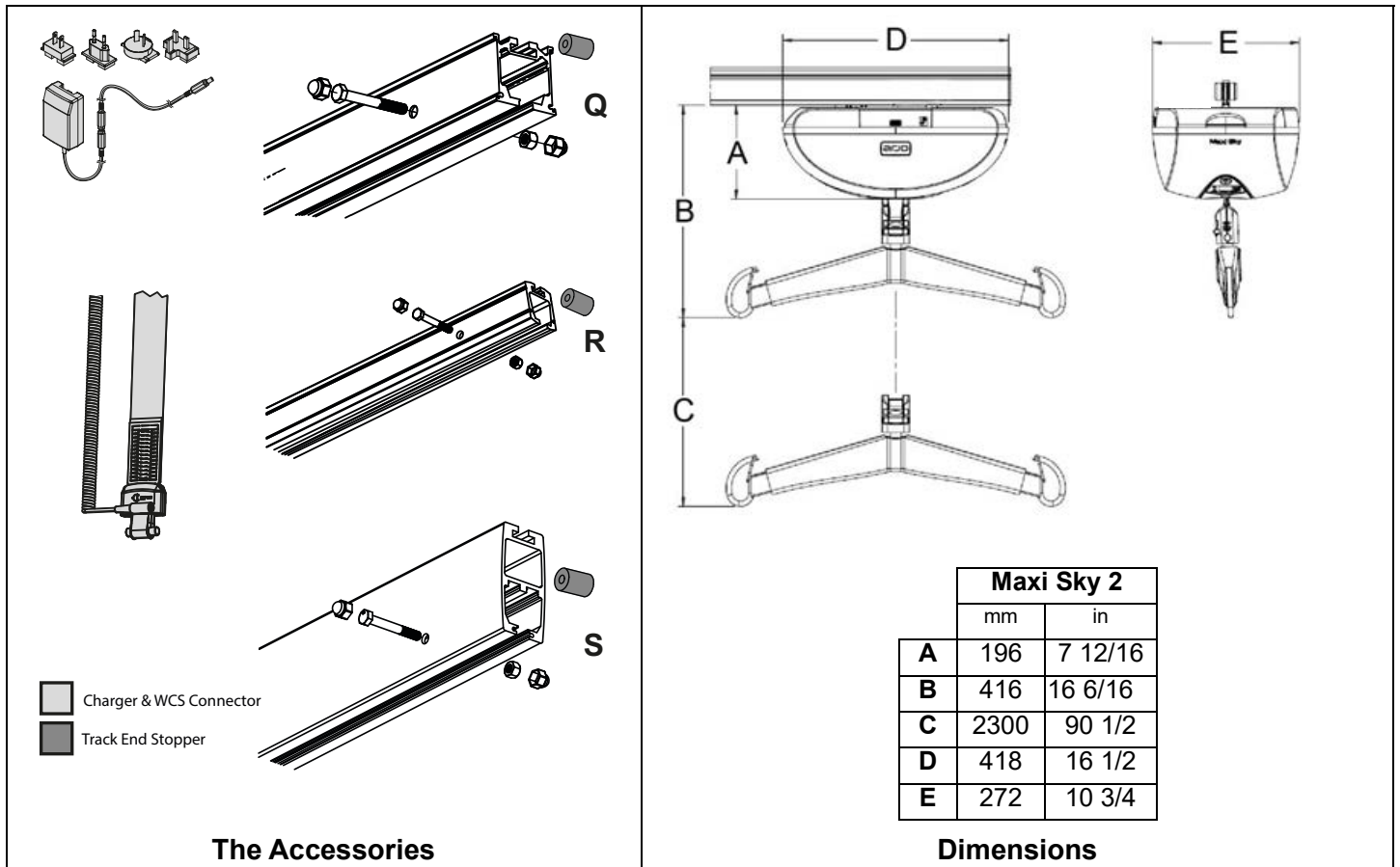


Fig. 18

NOTE: Original Track End Stopper may cause damages to the lift's housing. Make sure to install track end stopper 700-01092 at both ends of track system.

Track System Limitation

WARNING

- "Q, R & S" Track System may accept ceiling lifts with SWL rated to a maximum of 272 kg (600 lb).

T Type Track System

Parts Description

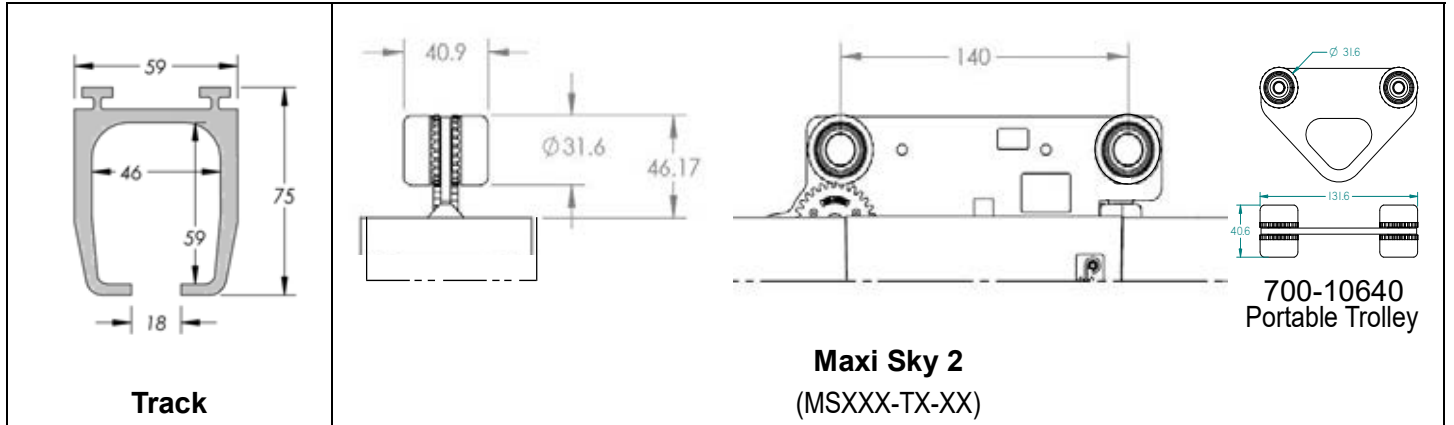


Fig. 19

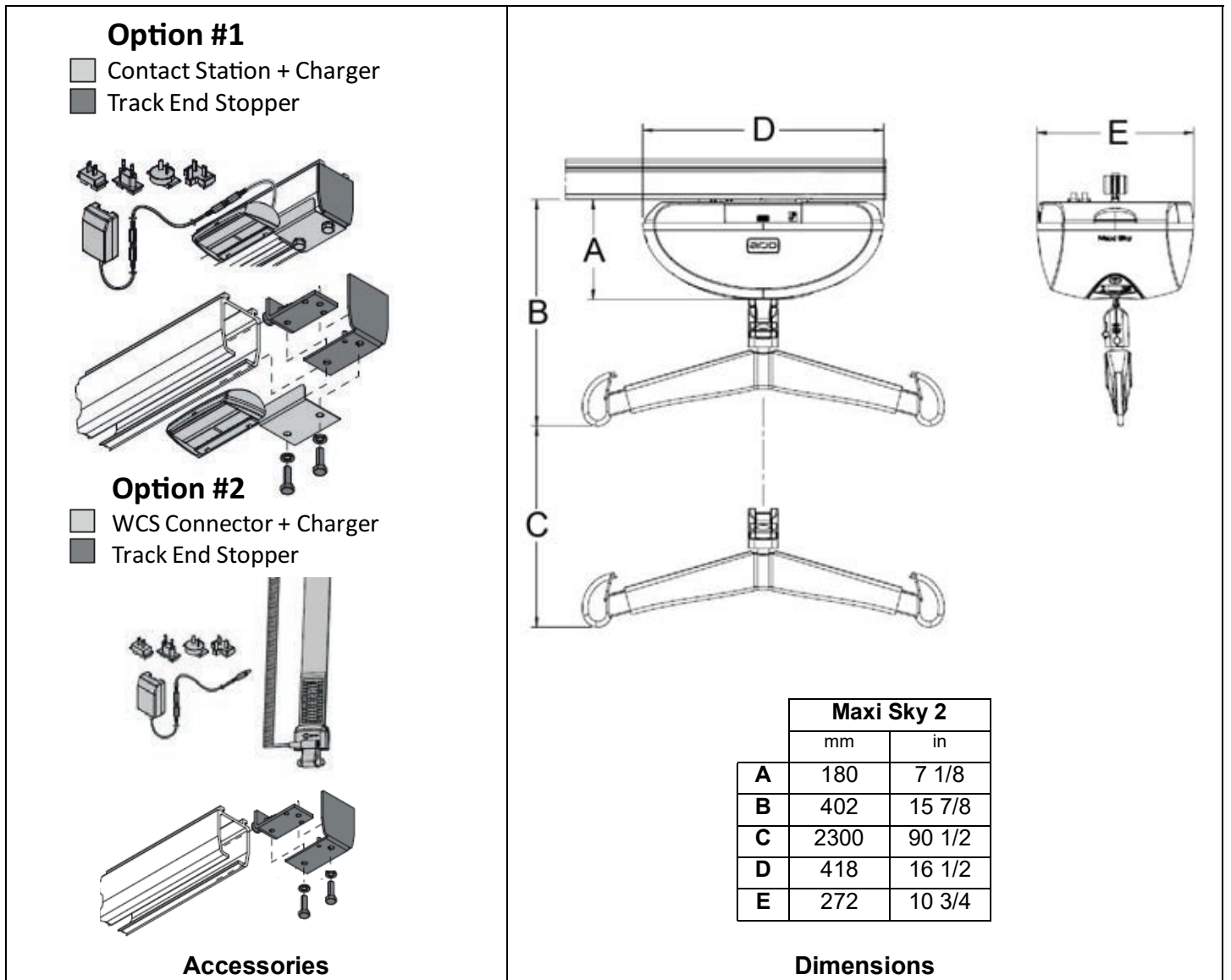


Fig. 20

Track System Limitation

WARNING

- The "T" Track System may accept ceiling lifts with SWL rated to a maximum of 272 kg (600 lb).

V Type Track System

Parts Description

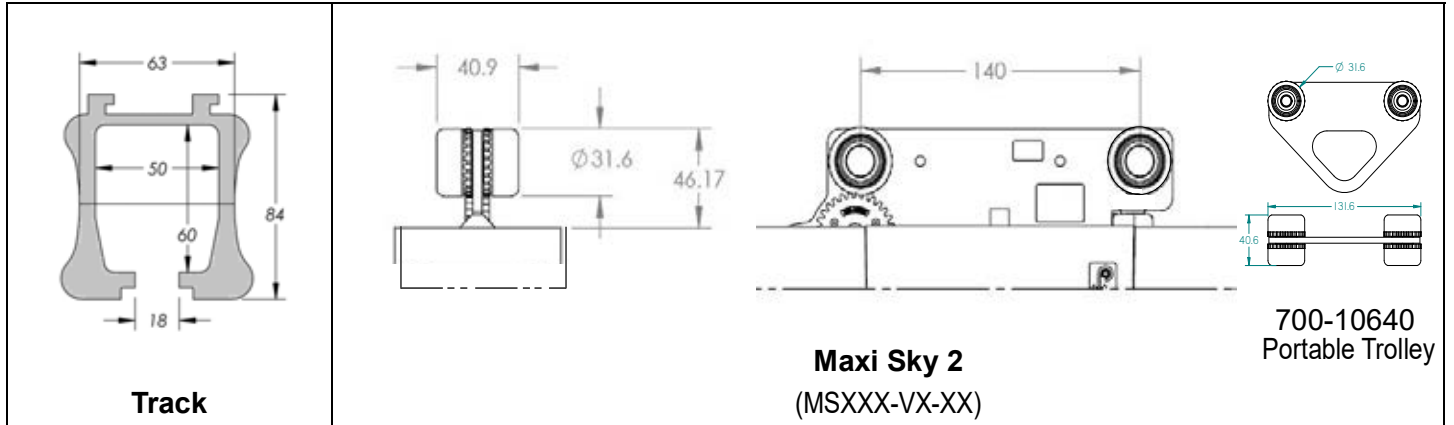


Fig. 21

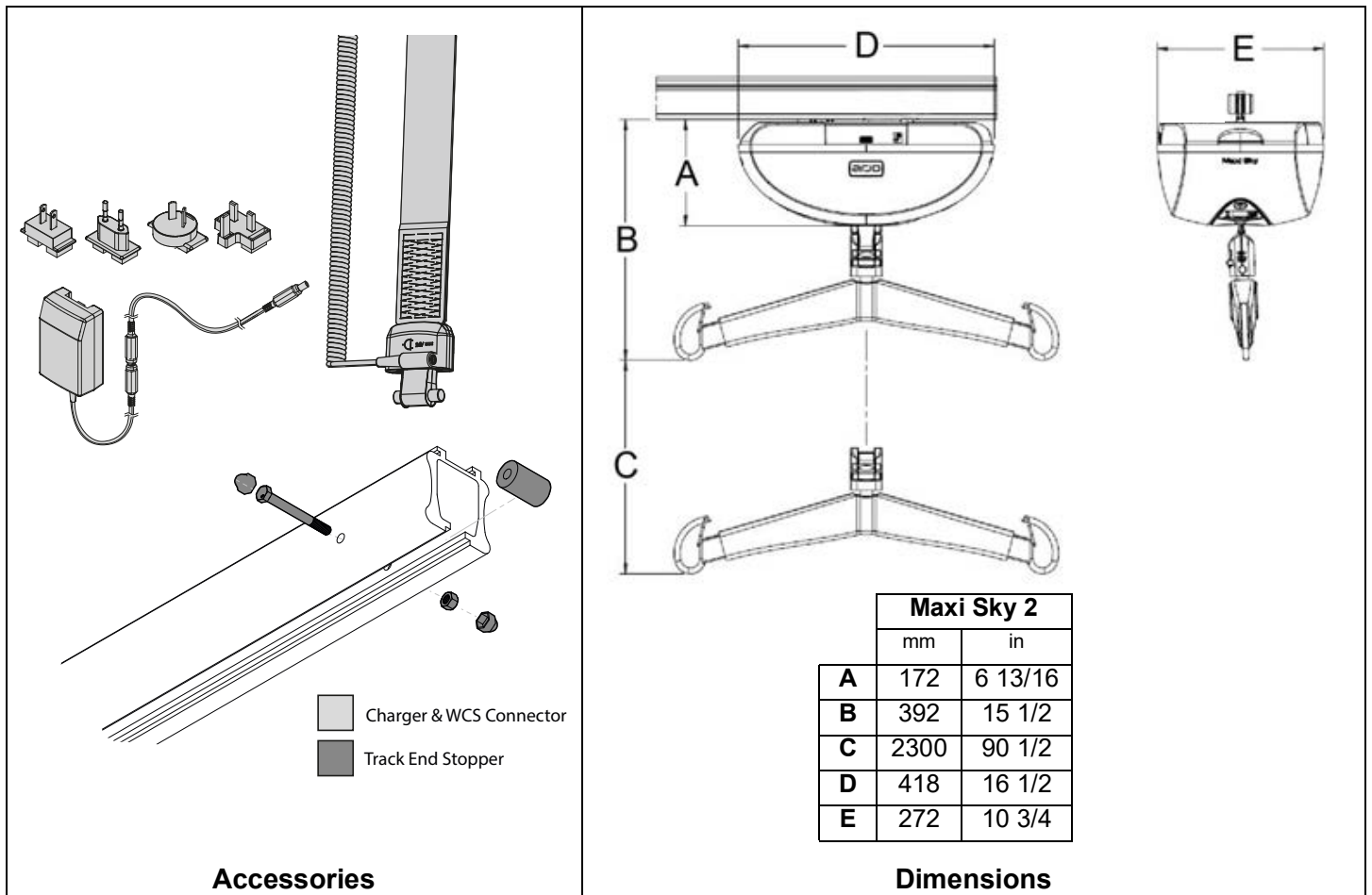


Fig. 22

NOTE: Original Track End Stopper may cause damages to the lift's housing. Make sure to install Track End Stopper (700-01081) at both ends of track system.

Track System Limitation

WARNING

- The "V" Track System may accept ceiling lifts with SWL rated to a maximum of 272 kg (600 lb).

W Type Track System

Parts Description

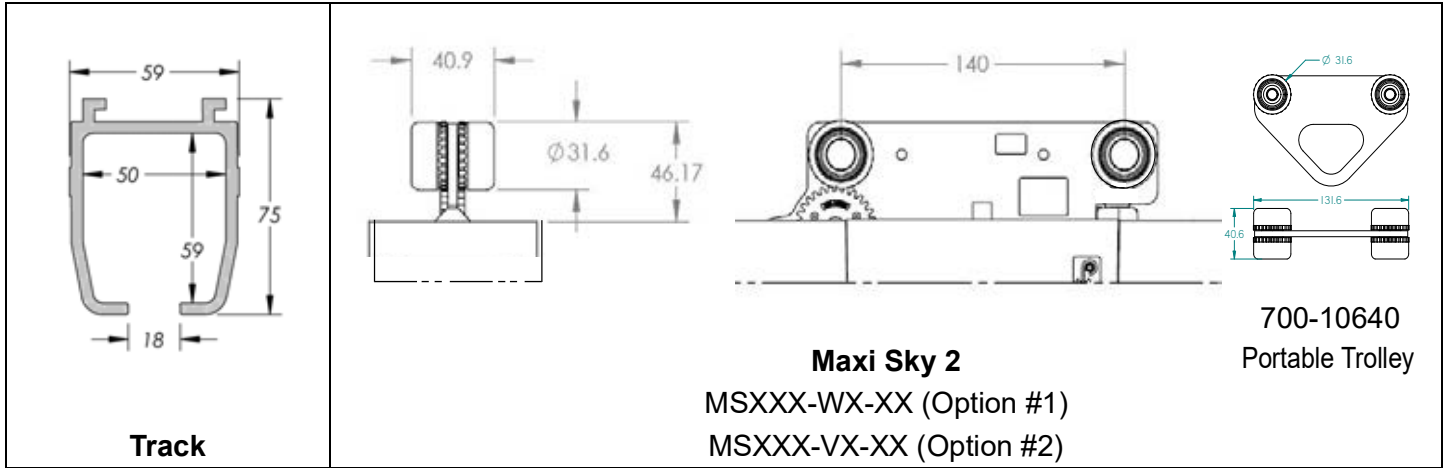


Fig. 23

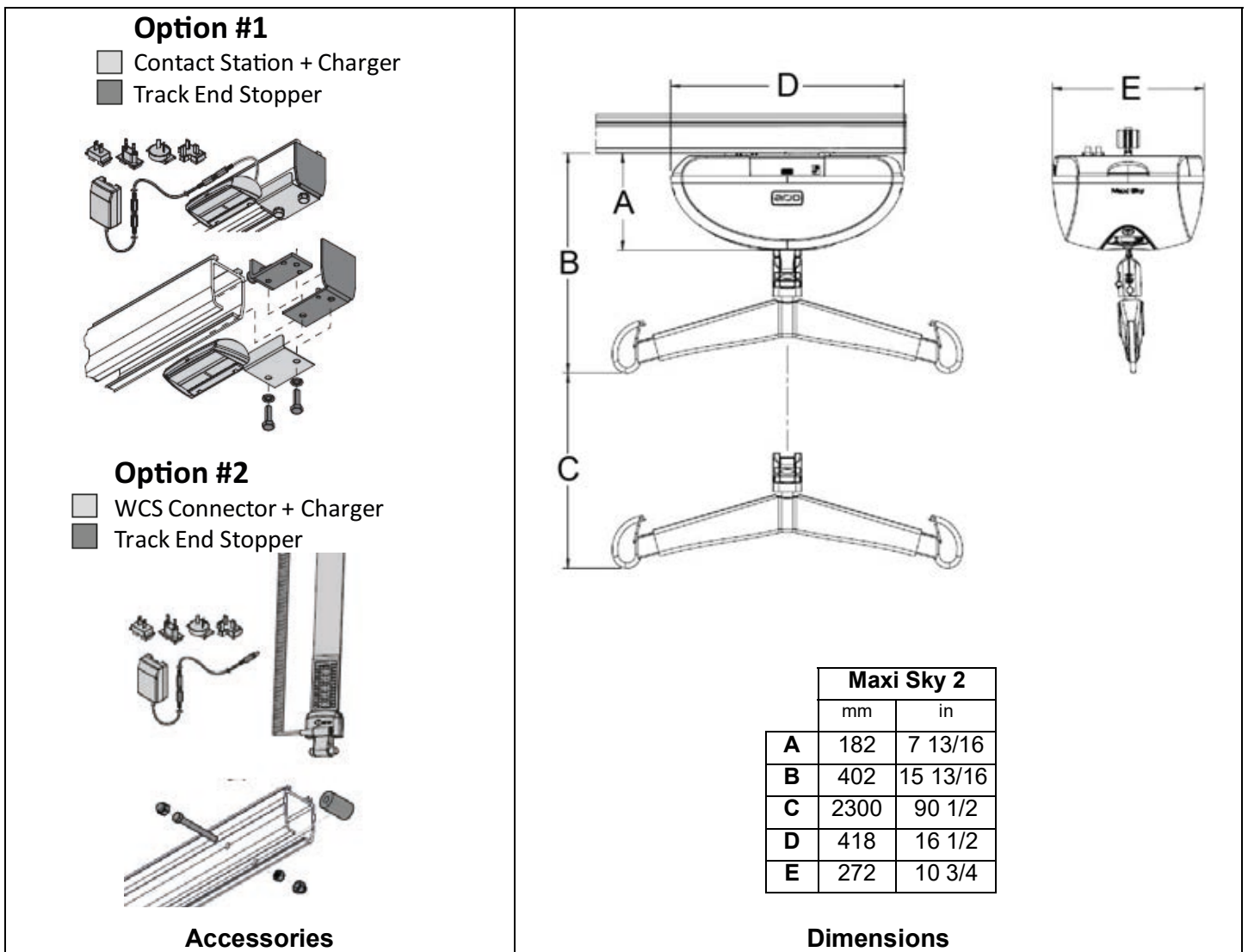


Fig. 24

NOTE: Original Track End Stopper may cause damages to the lift's housing. Make sure to install track end stopper 700-01081 at both ends of track system.

Track System Limitation

WARNING

- The "W" Track System may accept ceiling lifts with SWL rated to a maximum of 272 kg (600 lb).

Intentionally Left Blank

Intentionally Left Blank

At Arjo, we believe that empowering movement within healthcare environments is essential to quality care. Our products and solutions are designed to promote a safe and dignified experience through patient handling, medical beds, personal hygiene, disinfection, diagnostics, and the prevention of pressure injuries and venous thromboembolism. With over 6500 people worldwide and 65 years caring for patients and healthcare professionals, we are committed to driving healthier outcomes for people facing mobility challenges.



ArjoHuntleigh AB
Hans Michelsensgatan 10
211 20 Malmö, Sweden
www.arjo.com

arjo



001-14250-EN

**UK
CA
CE**