

# R82 x:panda seat wedges

Seat wedges create a gentle contour to accommodate the ischial tuberosities and increase the contact area between the user and the cushion, with the overall aim to prevent the pelvis from rolling backward

## Tip!

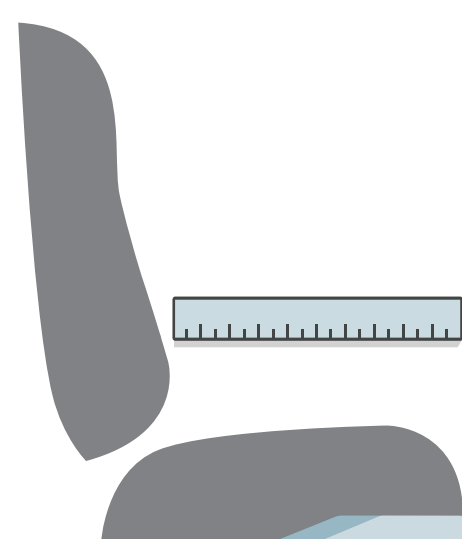
The seat wedge is often used with a Y-hip belt and sometimes with a Lumbar support

## Tip!

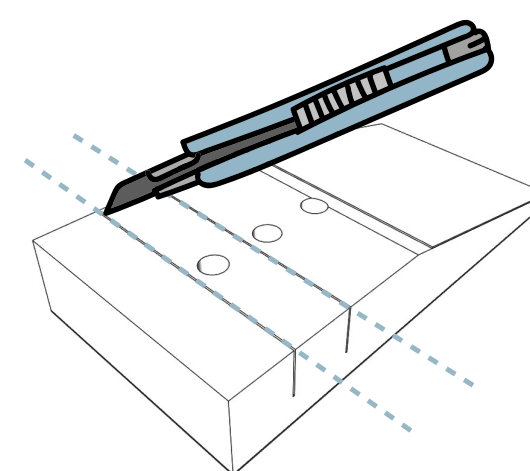
As the child grows the seat wedges need to be reviewed so that they still offer sufficient support



## Steps to customize your seat wedge



The seat wedge should cover one-half to two-thirds of the seat depth.  
Example: Seat depth=30 cm, wedge=15-20 cm



Cut the seat wedge as shown in the assembly instruction