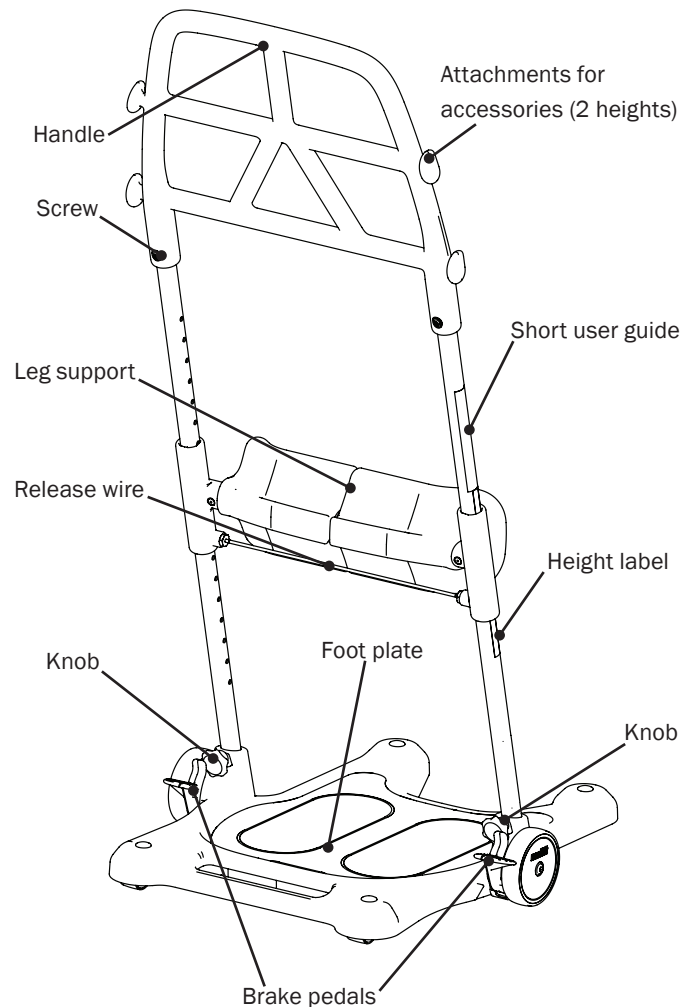


Molift Raiser Pro

molift[®]
by Etac

Quick guide (EN)

QG43001 Rev A 2022.10.17



Important



Read user manual before use! This Quick guide does not replace user manual. It is important to fully understand the content of the user manual before attempting to use the equipment. Go to www.etac.com for latest version of user manual.

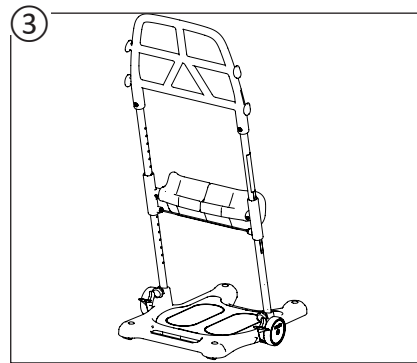
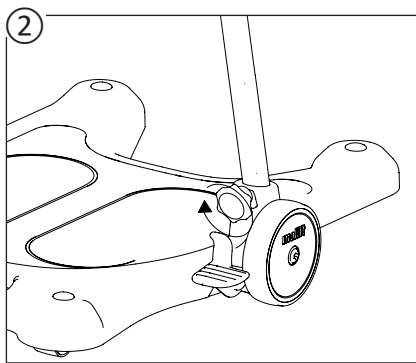
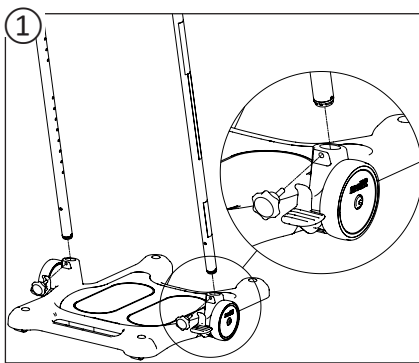


Never exceed Safe Working Load (SWL) of 170 kg (375 lbs)

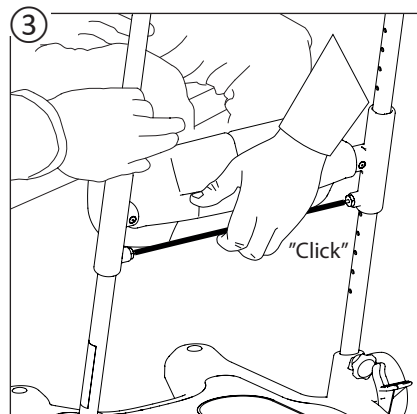
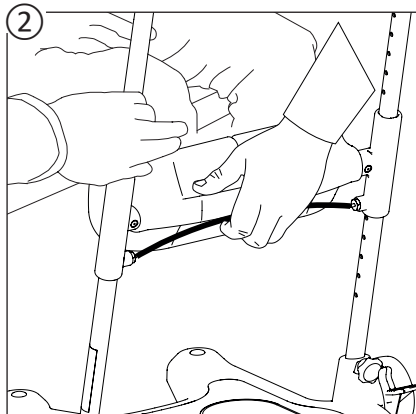
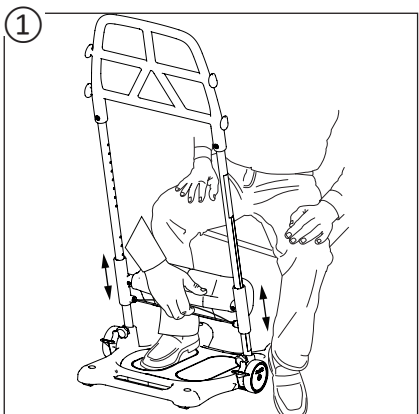


Make sure that knobs and screws are properly fastened. Loose knobs and screws can make the Molift Raiser Pro wobbly and unsafe to use.

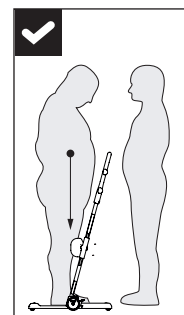
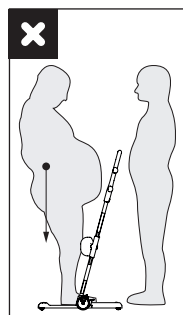
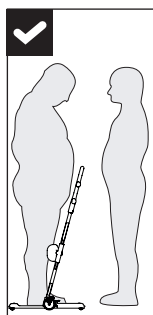
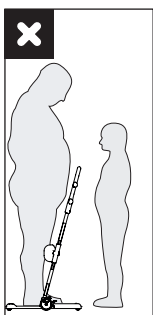
Assembling Molift Raiser Pro for use



Setting leg support position



User / carer - size relation and body placement



Transferring user, up and down

